

INSTRUCTION: Use this form to order any standard pre-hung or non-prehung entryway that is shown in our Fibercraft Composite Door product catalog and FiberCraft Arch Lite Double Door Brochure. To order custom, use the custom order form for Composite entry doors on our website. Be sure to use the pre-hung unit numbers or door slab stock numbers (for non-prehung) shown on the catalogs. To order impact units, use the Impact Order Form. **Important:** This standard order form may not be used for ordering Impact rated door units.

CONTACT INFORMATION:

Company Name: _____ **Contact Name:** _____
 Address _____ **City, State, Zip** _____ **Contact Email:** _____
 Phone _____ **PO #** _____

Windstorm Rated: Yes NO (Standard only - Not Windstorm)

Note: Windstorm may extend lead time and/or increase price.

ENTRYWAY STOCK # (refer to the FiberCraft main catalog and Arch Lite Double Door brochure): _____

SIZE: Enter the size information based on the available sizes for a specific door or sidelite as noted in the FiberCraft catalog.

Doorway Width: 32" 36" 42"

Door Height: 6'8" 8'0"

Sidelite Width 12" 14"

PREFINISH OPTION: Choice of Estate or Artisan Antique and Distressed finishing. GlassCraft's exclusive prefinishing system adds protection to the doors.

Door & Frame Door Only/Unfinished Frame No (Unfinished)

Estate Collection: (Choose Wood Grain) **Cherry** **Mahogany** **Knotty Alder**
 (Choose Stain) **Mocha** **Cranberry** **Sycamore**

Artisan Collection: (Choose Finishing) **Antique** **Distressed**

Antique Cherry: Chestnut Rosewood Pecan
Reclaimed Mahogany: Espresso Crimson Gunstock
Craftsman Mahogany: Espresso Crimson Gunstock
Pacific Knotty Alder: Caramel Toffee Sienna
American Black Walnut Weathered Saddle Onyx

DECORATIVE OPTIONS: Enter your choice for Decorative Glass, Speakeasy grille, Wrought Iron grille, GBG grille or Bungalow Grille Design. Also indicate your choice for Straps, Clavos or V-Groove option if applicable.

V-Grooved (if applicable): Yes No **NOTE:** Refer to the FiberCraft catalog and brochure to view available door styles with V-Grooved option.

Decorative Glass Design (if applicable): _____

Speakeasy Grille Design (if applicable): _____ No Grille

Clavos (Door Nails) Design (if applicable): _____ **Straps Design** (if applicable): _____

Wrought Iron Grille Design (if applicable): _____ **GBG Grille Design** (if applicable): _____

BungalowGrille Design (if applicable): _____ **Peephole Viewer** (if applicable): Yes No

GLASS OPTIONS: Choose the available glass texture option as noted on the FiberCraft catalog. Not all glass textures are available for all designs.

Clear Water Large Flemish Reeds Rain Cloud Speakeasy panel (if applicable)

NOTE: Cloud is only available for Contemporary doors. Large Flemish is only available for doors with Speakeasies, Wrought Iron, and Privacy & Clear.

PRE-HUNG OPTION: Standard Pre-hung units include the following: 4 1/2" Jamb Legs, Header, Standard Sill, Boots, Hinges, Weatherstrip and if applicable, T-Astragal, Mull Posts, and Flush Bolts. All items indicated as an upgrade are not included in the Standard Prehung-units and will be charged at an additional cost.

Jamb Legs: 4 1/2" 6 1/2" (upgrade)

Sill: Standard Endura (upgrade) ADA (upgrade) **Sill Color:** Bronze Aluminum Mill Aluminum

Hinges Color: Black Satin Nickel Oil Rubbed Bronze

Other Upgrade Options: (extra charge): Check additional upgrade components you want to include in your pre-hung unit from the choices below:

Brick Mold Door Sweep Strikejamb Reinforcement Door Bore Construction door

If adding Door Bore, please answer the following questions below:

GlassCraft Multipoint Lock Prep: Yes No Handleset Part # _____ *Dummy Handleset Part # _____

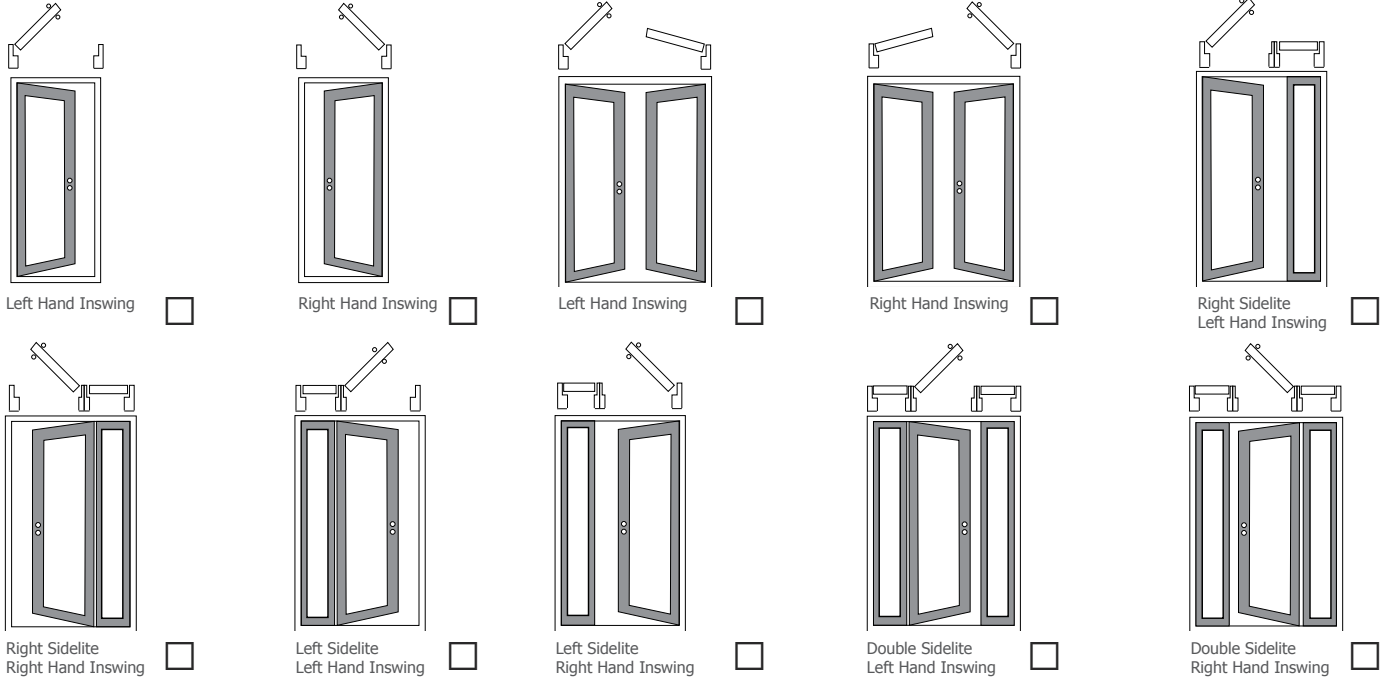
Latch Set Bore: Yes No If yes, select bore distance (for standard lock sets only): 2 3/8" 2 3/4"

Dead bolt bore: Yes No If yes, select bore diameter (for standard lock sets only): 2 1/8" Other _____

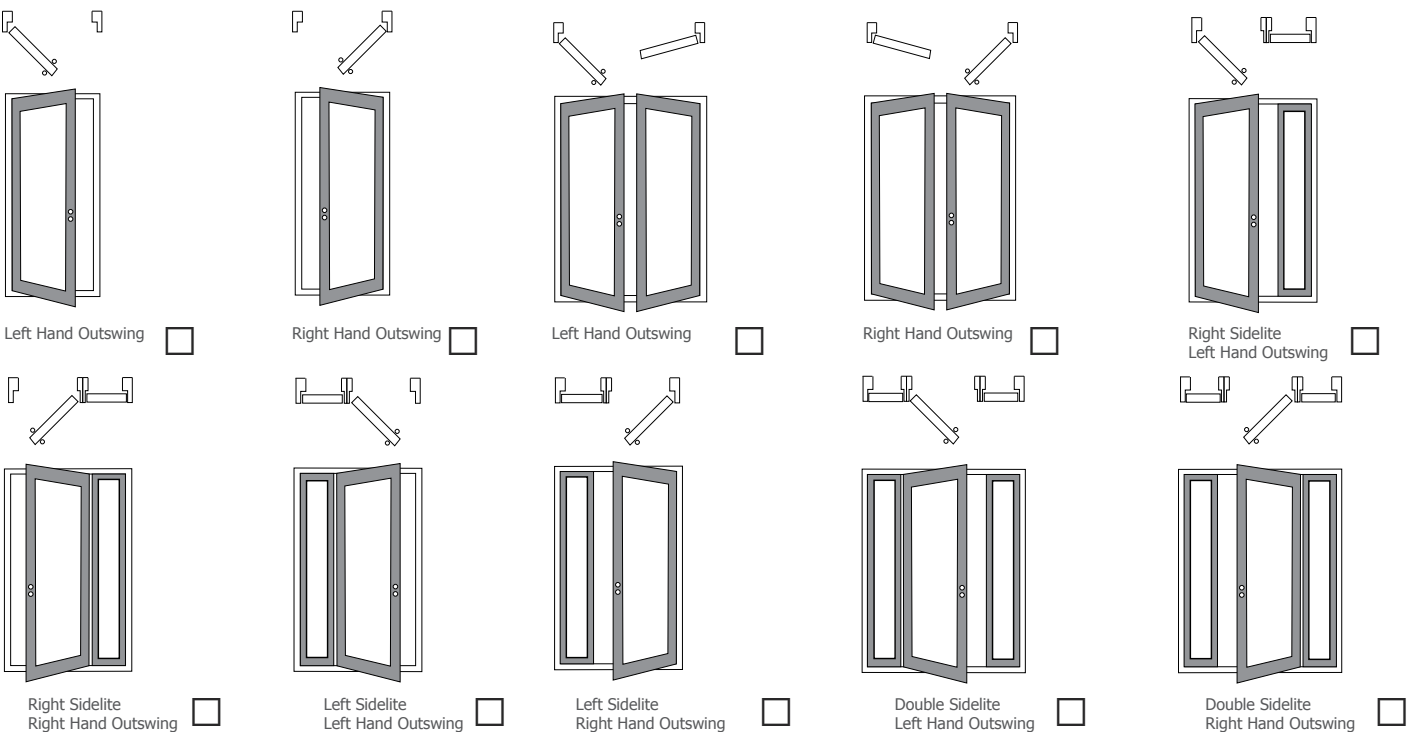
Center to center distance: 5 1/2" Other _____ *Dummy handleset is mounted on the inactive door of a double door unit.

PRE-HUNG HANDING CONFIGURATIONS

Inswing Configuration: Handings are to be acknowledged from the exterior looking in. GCDC designations could be different from what you are accustomed to. Please double check according to the images below.



Outswing Configurations: Handings are to be acknowledged from the exterior looking in. GCDC designations could be different from what you are accustomed to. Please double check according to the images below.



Additional information or special instructions (make sure to include standard options that may not be specified on this form):

NOTE: Brick mold, subcasing and interior casings are shipped uninstalled on pre-hung units. Some transom configurations have installed Sub-Casing and Brick mold. Entryways with Sidelites will be produced using a "fat boy" mull between the door and sidelites to allow for a continuous door sill to be installed.

SHIPPING INFORMATION:

- Entry will be picked up from GlassCraft assembled
- Entry will be shipped K-D (knocked down) and crated
- Entry will be shipped assembled and crated (Unit may not be completely assembled, depending upon configuration. Please inquire for more information.)

GLASSCRAFT USE ONLY:

Received on: _____
Confirmed on: _____
Price quotation: _____
Estimated Ship Date: _____
CSR initials: _____

I ACCEPT THIS ORDER.

Signature

Date

SUBMIT THIS FORM:

- **Email to:** orderentry@glasscraft.com
- **Fax to:** 713-690-2919

IMPORTANT: Changes or cancellations made to this order after signed confirmation is received by GlassCraft may result in additional charges.

PLEASE NOTE: The ability to submit this form using the Submit button may be limited by your computer setup. If you are unable to submit the form using the Submit button. Please save the file to your computer and send it to orderentry@glasscraft.com