

**INSTRUCTION:** Use this form to order any standard pre-hung or non-prehung entryway that is shown in our WoodCraft Mahogany and Alder Entry Door product catalog (to order custom, use the custom order form for hardwood entry doors on our website). Be sure to use the pre-hung unit numbers or door slab stock numbers (for non-prehung) shown on the catalog.

**CONTACT INFORMATION:**

**Company Name:** \_\_\_\_\_  **Contact Name:** \_\_\_\_\_  
 **Address** \_\_\_\_\_ **City, State, Zip** \_\_\_\_\_  **Contact Email:** \_\_\_\_\_  
 **Phone** \_\_\_\_\_  **PO #** \_\_\_\_\_

**WINDSTORM APPROVED #**     NO (Standard)     Yes    Note: Windstorm Product may extend lead time and/or increase price.

**ENTRYWAY STOCK #** (refer to the WoodCraft catalog): \_\_\_\_\_

**SIZE:** Enter the size information based on the available sizes for a specific door or sidelite as noted in the WoodCraft catalog.

**Door Width:**     30"     32"     36"     42"    Unit dimensions (non-standard): \_\_\_\_\_  
**Door Height:**     6'8"     8'0"    **Sidelite Width**  12"     14"

**WOOD SPECIES:**     Portobello Mahogany     DoorCraft Mahogany     Estancia Knotty Alder

**DECORATIVE OPTIONS:** Enter your choice for Decorative Glass, Speakeasy grille, Wrought Iron grille, GBG grille or Bungalow Grille Design. Also indicate your choice for Straps, Clavos or V-Groove option if applicable.

**V-Grooved**(if applicable):     Yes     No    NOTE: Refer to the WoodCraft catalog to view available door styles with V-Grooved option.  
**Decorative Glass Design** (if applicable): \_\_\_\_\_ **Came Color:**     Black     Satin Nickel     Oil Rubbed Bronze  
**Speakeasy Grille Design** (if applicable): \_\_\_\_\_  No Grille  
**Clavos (Door Nails) Design** (if applicable): \_\_\_\_\_ **Clavos Finish:**     Black     Bronze     Pewter  
**Straps Design** (if applicable): \_\_\_\_\_ **Straps Finish:**     Black     Bronze     Pewter  
**Wrought Iron Grille Design** (if applicable): \_\_\_\_\_ **Grille Finish:**     Black     Bronze     Pewter  
**GBG Grille Design** (if applicable): \_\_\_\_\_ **Bungalow Grille Design** (if applicable): \_\_\_\_\_  
**Peephole Viewer** (if applicable):     Yes     No

**GLASS OPTIONS:** Choose the available glass texture option as noted on the WoodCraft catalog. Not all glass textures are available for all designs.  
 Clear     Clear Bevel     Water     Large Flemish     Ice Flower     Reeds     Granite     Ocean     Rain     Wood panel (if applicable)

NOTE: Clear Bevel is only available for TDL and Craftsman doors. Contemporary doors are available with Clear, Water, Reeds and Rain only. DoorCraft Wrought Iron and GBG are available with Clear, Granite, Ocean and Rain only. Large Flemish is only available for Speakeasies and doors with TDL, Prvacy/Patterns, and Portobello & Estancia Wrought Iron.

**PREFINISH OPTION:** Choice of Traditional, Antique or Distressed finishing. GlassCraft’s exclusive prefinishing system adds protection to the doors.

**Pre-Finished Unit:**     Yes     No (unfinished unit)  
**If Yes, Which Finish:**     Traditional     Antique     Distressed  
**Which Finish Color:**     Charcoal     Canyon Brown     Burgundy Cherry     Cinnamon Red     Sierra Brown     Winter White     Natural

**PRE-HUNG OPTION:** Standard Pre-hung units include the following: 4 3/8" Jamb Legs, Standard Sill, Boots, Hinges, Weatherstrip and if applicable, T-Astragal, Mull Posts, and Flush Bolts. All items indicated as an upgrade are not included in the Standard Prehung-units and will be charged at an additional cost.

**Jamb Legs:**     4 3/8"     6 3/8" (upgrade)  
**Sill:**     Standard     Endura (upgrade)     ADA (upgrade)    **Sill Color:**     Bronze Aluminum     Mill Aluminum  
**Hinges Color:**     Black     Satin Nickel     Oil Rubbed Bronze

**Other Upgrade Options:** (extra charge): Check additional upgrade components you want to include in your pre-hung unit from the choices below:  
 Brick Mold     Sub-Casing     Interior Casing     Door Sweep     Strikejamb Reinforcement     Door Bore

If adding Door Bore, please answer the following questions below:

**GlassCraft Multipoint Lock Prep:**  Yes  No Handleset Part # \_\_\_\_\_ \*Dummy Handleset Part # \_\_\_\_\_

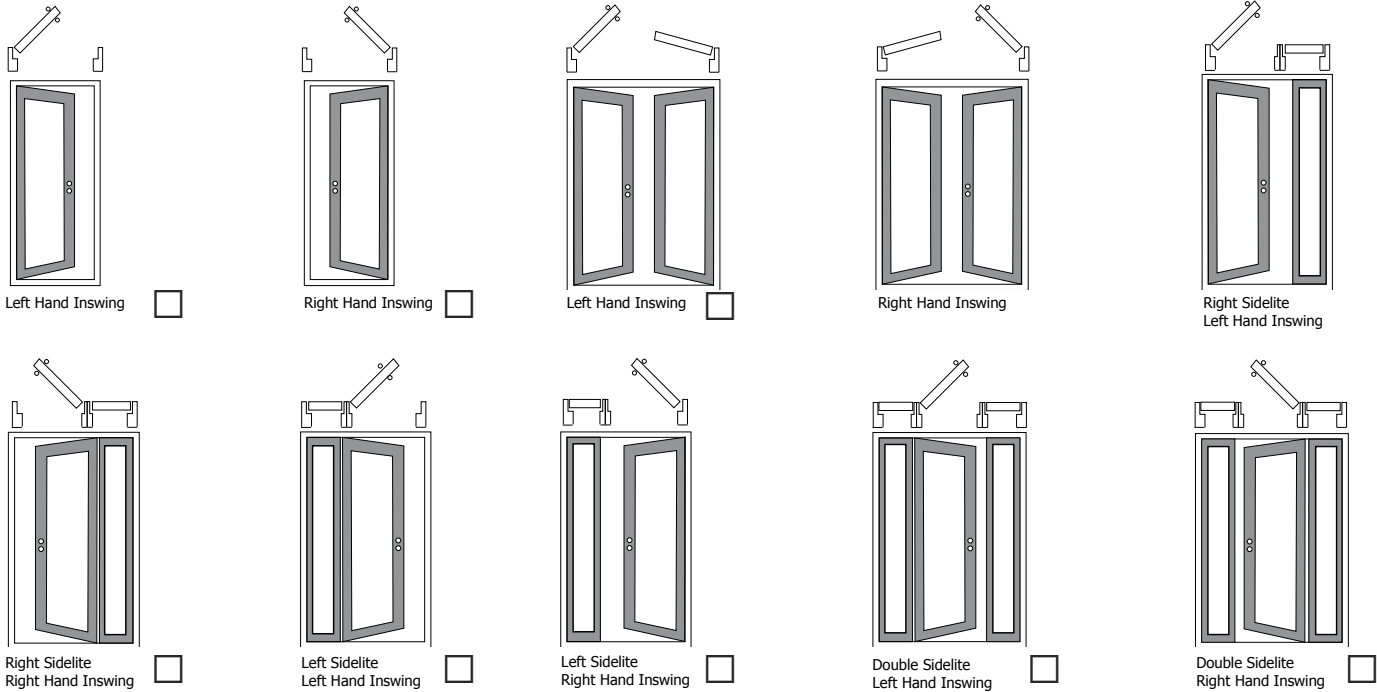
**Latch Set Bore:**  Yes  No If yes, select bore distance (for standard lock sets only):  2-3/8"  2-3/4"

**Dead bolt bore:**  Yes  No If yes, select bore diameter (for standard lock sets only):  2-1/8"  Other \_\_\_\_\_

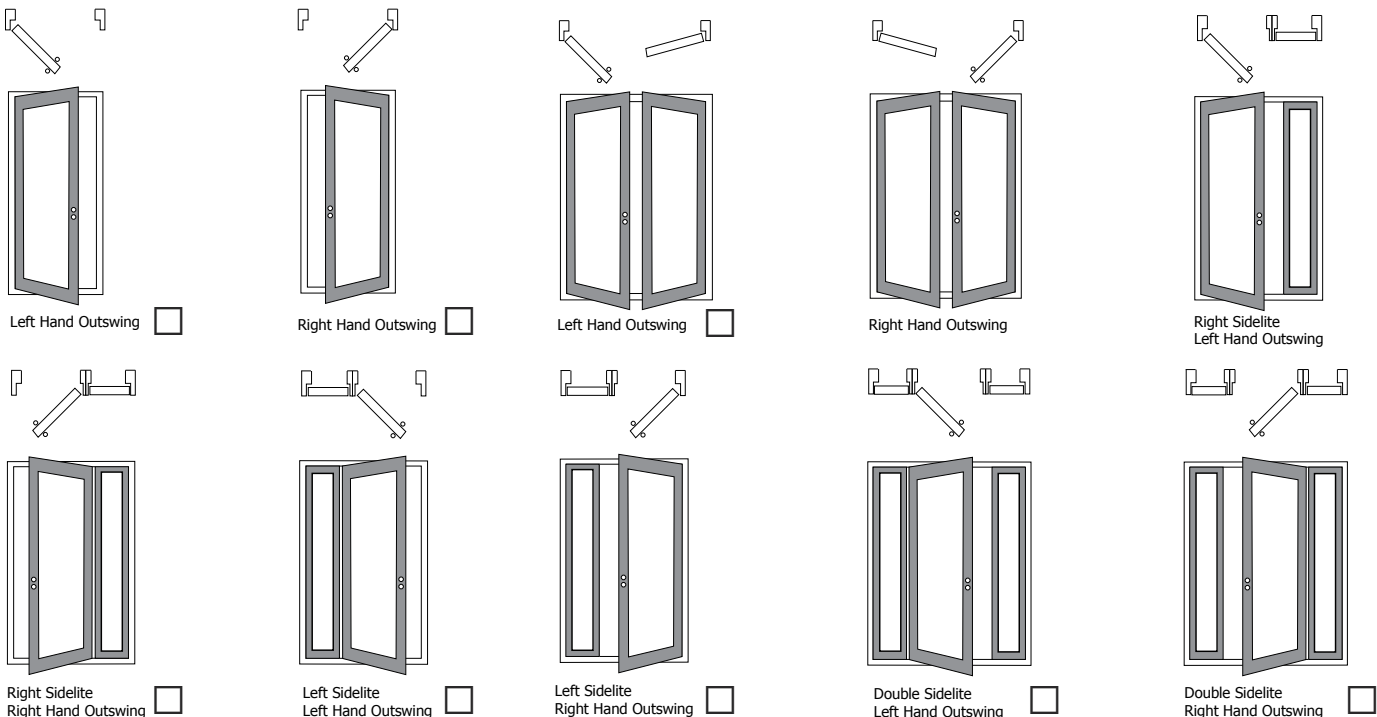
**Center to center distance:**  5-1/2"  Other \_\_\_\_\_ \*Dummy handleset is mounted on the inactive door of a double door unit.

**PRE-HUNG HANDING CONFIGURATIONS**

**Inswing Configuration:** Handings are to be acknowledged from the exterior looking in. GCDC designations could be different from what you are accustomed to. Please double check according to the images below.



**Outswing Configurations:** Handings are to be acknowledged from the exterior looking in. GCDC designations could be different from what you are accustomed to. Please double check according to the images below.



Additional information or special instructions (make sure to include standard options that may not be specified on this form):

**NOTE:** Sub-Casing, Brick Mold and Interior Casing are shipped uninstalled on pre-hung units. Some transom configurations have installed Sub-Casing and Brick Mold. Entryways with Sidelites will be produced using a "fat boy" mull between the door and sidelites to allow for a continuous door sill to be installed.

**SHIPPING INFORMATION:**

- Entry will be picked up from GlassCraft assembled
- Entry will be shipped K-D (knocked down) and crated
- Entry will be shipped assembled and crated (Unit may not be completely assembled, depending upon configuration. Please inquire for more information.)

**GLASSCRAFT USE ONLY:**

Received on: \_\_\_\_\_

Confirmed on: \_\_\_\_\_

Price quotation: \_\_\_\_\_

Estimated Ship Date: \_\_\_\_\_

CSR initials: \_\_\_\_\_

**I ACCEPT THIS ORDER.**

\_\_\_\_\_  
Signature

\_\_\_\_\_  
Date

**SUBMIT THIS FORM:**

- **Email to:** [orderentry@glasscraft.com](mailto:orderentry@glasscraft.com)
- **Fax to:** 713-690-2919

**IMPORTANT:** Changes or cancellations made to this order after signed confirmation is received by GlassCraft may result in additional charges.

**PLEASE NOTE:** The ability to submit this form using the Submit button may be limited by your computer setup. If you are unable to submit the form using the Submit button. Please save the file to your computer and send it to [orderentry@glasscraft.net](mailto:orderentry@glasscraft.net)